

技术参数 SPECIFICATIONS

线数 (Poles) : 2~24

适用线规 (Applicable wires) : AWG24#~18#

适用基板厚度 (Applicable PC board thickness) : 1.6mm

温度范围 (Temperature range) : -40°C ~ +105°C

额定电压 (Voltage rating) : 250V.Ac/Dc

额定电流 (Current rating) : 5A

接触电阻 (Contact resistance) : $\leq 0.02\Omega$

绝缘电阻 (Insulation resistance) : $\geq 1000M\Omega$

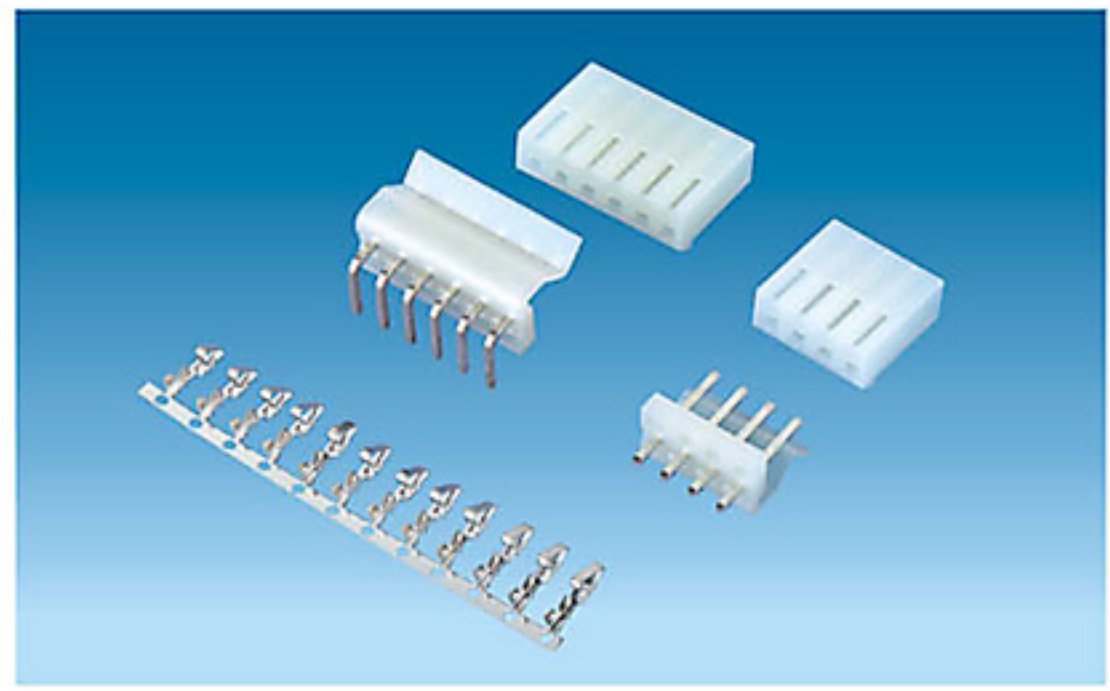
耐压 (Withstand voltage): 1500V.Ac/1分钟 (Minute)

材料 (Material) :

孔座 (Housing) : 尼龙 (Nylon) UL94V-2

针座 (Wafer) : 尼龙 (Nylon) UL94V-2

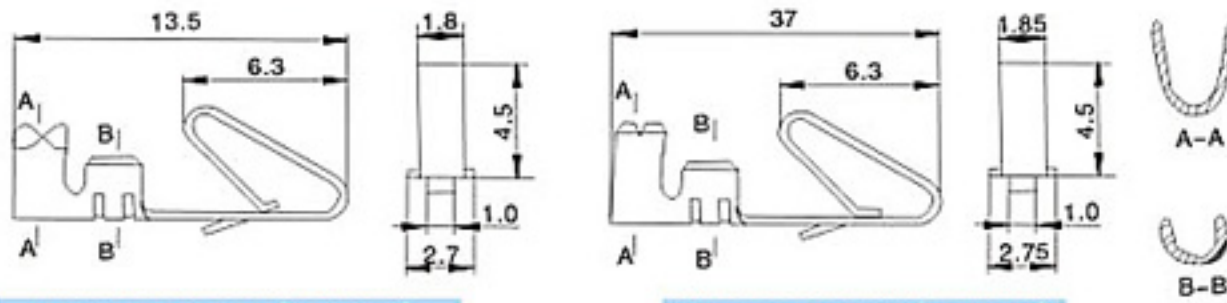
端子 (Terminal) : 磷青铜 (Phos.bronze Tin/plated)



端子 TERMINAL (4018)

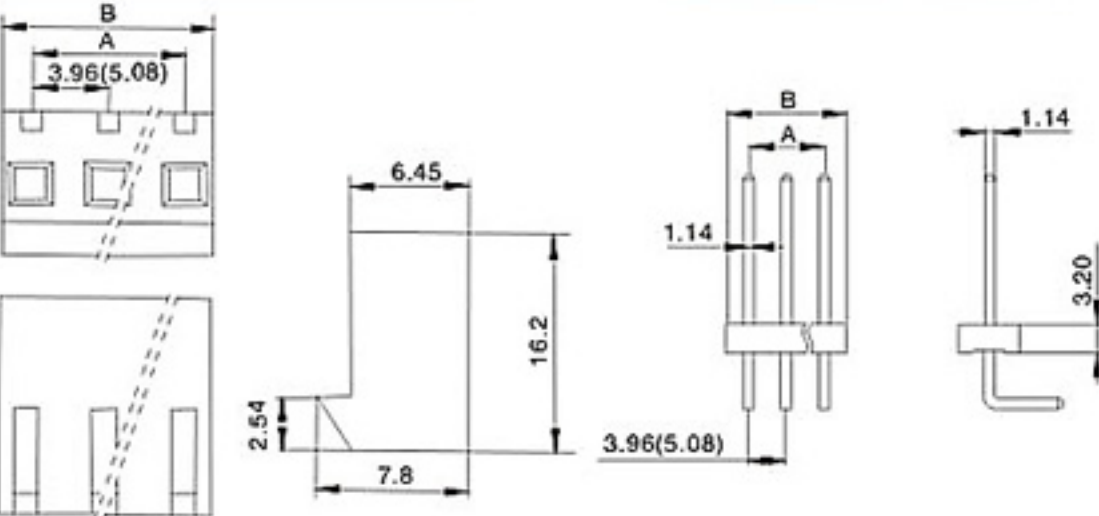
型号 Type	适用线规 Applicable wires		电线外径 O.D of wire ins
	mm ²	AWG#	mm
KF39602-PT(A)	0.2-0.75	24-18	1.7-2.8
KF39602-PT(B)	0.2-0.75	24-18	1.7-2.8

KF39602-PT (4018)

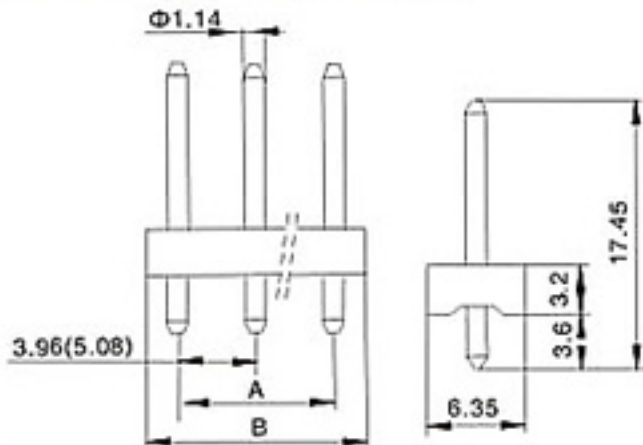


KF39602-Y (2139)

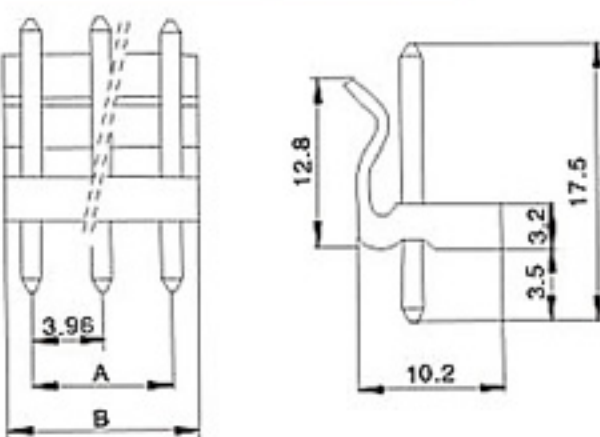
KF39602-Y (2139)



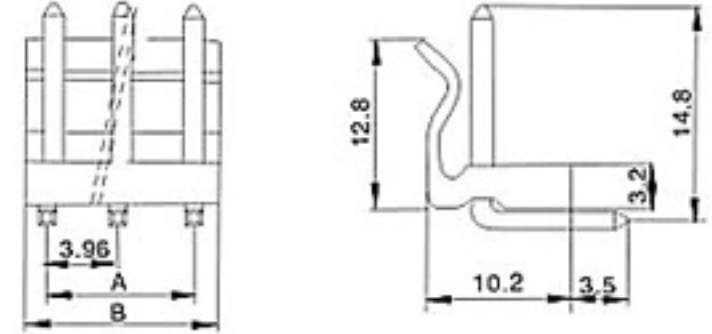
KF39603-A1 (5379)



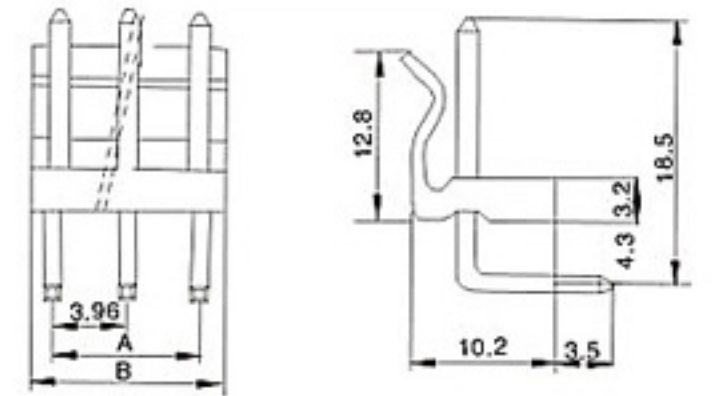
KF39603-A2 (5373)



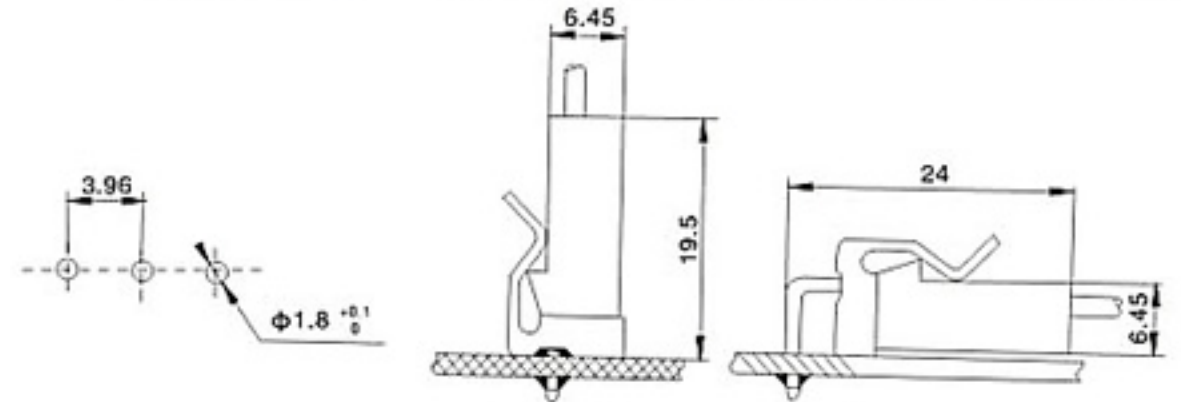
KF39603-WAP (5274)



KF39603-WAG (5274)



安装尺寸 MOUNTING MEASUREMENT



孔座 HOUSING (2139)

线数 Poles	型号Type	尺寸Dimensions W(mm)	
		A	B
2	KF39602-2Y	3.96	8.52
3	KF39602-3Y	7.92	12.48
4	KF39602-4Y	11.88	16.44
5	KF39602-5Y	15.84	20.40
6	KF39602-6Y	19.80	24.36
7	KF39602-7Y	23.76	28.32
8	KF39602-8Y	27.72	32.28
9	KF39602-9Y	31.68	36.24
10	KF39602-10Y	35.61	40.20
11	KF39602-11Y	39.60	44.16
12	KF39602-12Y	43.56	48.12
13	KF39602-13Y	47.52	52.08
14	KF39602-14Y	51.48	56.04
15	KF39602-15Y	55.44	60.0
16	KF39602-16Y	59.40	63.96

针座 WAFER (5272、5273、5274、5276)

线数 Poles	型号Type		尺寸Dimensions W(mm)	
	直式 (180°)	弯式 (90°)	A	B
2	KF39602-2A	KF39602-2WA	3.96	7.92
3	KF39602-3A	KF39602-3WA	7.92	11.88
4	KF39602-4A	KF39602-4WA	11.88	15.84
5	KF39602-5A	KF39602-5WA	15.84	19.80
6	KF39602-6A	KF39602-6WA	19.80	23.76
7	KF39602-7A	KF39602-7WA	23.76	27.72
8	KF39602-8A	KF39602-8WA	27.72	31.68
9	KF39602-9A	KF39602-9WA	31.68	35.64
10	KF39602-10A	KF39602-10WA	35.61	39.60
11	KF39602-11A	KF39602-11WA	39.60	43.56
12	KF39602-12A	KF39602-12WA	43.56	47.52
13	KF39602-13A	KF39602-13WA	47.52	51.48
14	KF39602-14A	KF39602-14WA	51.48	55.44
15	KF39602-15A	KF39602-15WA	55.44	59.40
16	KF39602-16A	KF39602-16WA	59.40	63.36